

TO: Microchip Corporation

Report No.	UKY1C-C3-16895-00(99)N 1/3
Date Issued	28-Nov-16

Crystal oscillation circuits report

Dear Sirs,

We are pleased to submit a report on the above subject as follows:

Yours faithfully

Board name	SAME54 Xplained Pro kit	
IC name	ATSAME54P20A	
Specification	ST3215SB32768A0HPWBB	
Specification NO.	--	
Crystal unit type	ST3215SB	
Frequency	32.768	kHz
Frequency tolerance	± 20	PPM (25 $\pm 3^{\circ}\text{C}$)
Temperature	-40~+85	$^{\circ}\text{C}$
Secondary Temp Coefficient	-0.04Max	PPM/ $^{\circ}\text{C}^2$
Equivalent series resistance	70	k Ω Max
Load capacitance	5	pF
Drive level	0.5	μW

Circuit examination history

2016.11.28 First edition UKY1C-C3-16895-00(99)N

Crystal Units design section		Crystal oscillation circuit evaluation section		
Approved by	Checked by	Approved by	Checked by	Prepared
A.Muraoka	Y.Yasuda	A.Hisako	Y.Yuki	M.Tanigawa

The reference about the above

KYOCERA Crystal Device Corporation Marketing Division
5850 Higashine-koh , Higashine-shi , Yamagata 999-3701

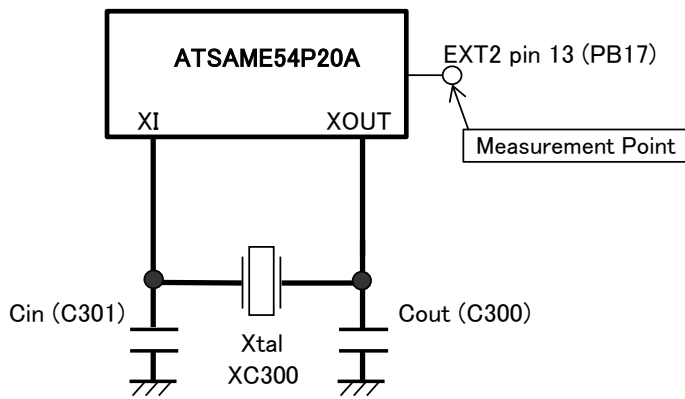
Tel:+81-237-43-5747 Fax:+81-237-43-5651

Note:The characteristics of crystal oscillating circuits vary according to a circuit constant, installed condition,etc.

Before use,please conflem matching of the crystal unit with the crystal oscillator circuits.Please also note that the results of reviewing the circuits may not meet the characteristics of your product.

○ Measurement Circuit Diagram

SAME54 Xplained Pro kit



IC: ATSAME54P20A

Vcc: USB (V)

Xtal: ST3215SB 32.768kHz

CL= 5pF

Measurement Item	Instrument
Frequency	Agilent Universal Counter 53132A
Negative Resistance	Agilent Spectrum Analyzer E4402B
Current	Agilent Multimeter 34401A
Drive Level	Tektronix Digital Oscilloscope TDS5052B
	Tektronix AC Current Probe P6022
	Agilent Arbitrary Waveform Generator 33120A

○ Characteristics at Recommended Constants

CL= 5pF

Circuit Constants		Power Voltage (V)	Drive Mode	Negative Resistance (kΩ)	Circuit load Capacitance (pF)	Frequency Deviation (PPM)	Drive Level (μW)
Cin (C301)	Cout (C300)						
5.6pF	5.6pF	USB	Low	-448	4.75	+11.16	0.003
6.2pF	6.2pF	USB	Standard	-908	4.75	+10.85	0.010
6.8pF	6.8pF	USB	High	-1067	4.96	+1.82	0.015

• Negative resistance

<Low>

The negative resistance for 32.768kHz at the present circuit constants is $-448\text{k}\Omega$, which is not enough to assure stable operation of the circuits.

<Standard>

The negative resistance for 32.768kHz at the present circuit constants is $-908\text{k}\Omega$, which is enough to assure stable operation of the circuits.

<High>

The negative resistance for 32.768kHz at the present circuit constants is $-1067\text{k}\Omega$, which is enough to assure stable operation of the circuits.

• Circuit load capacitance and Frequency tolerance

<Low>

The load capacitance of the oscillator circuit is 4.75pF with a frequency deviation of +11.16PPM.

This is based on the fact that this quartz crystal has a frequency deviation of ± 0 by using a load capacitance of 5pF.

<Standard>

The load capacitance of the oscillator circuit is 4.75pF with a frequency deviation of +10.85PPM.

This is based on the fact that this quartz crystal has a frequency deviation of ± 0 by using a load capacitance of 5pF.

<High>

The load capacitance of the oscillator circuit is 4.96pF with a frequency deviation of +1.82PPM.

This is based on the fact that this quartz crystal has a frequency deviation of ± 0 by using a load capacitance of 5pF.

KYOCERA Crystal Device Corporation	Date Issued 2016.11.28	Circuit Diagram Recommended constants	Report No. UKY1C-C3-16895-00(99)N 2/3
------------------------------------	---------------------------	--	--

• Drive level

<Low>

The drive level of the oscillation circuit is 0.003μ W, when a quartz crystal unit with 49.19kΩ equivalent series resistance and 68.05kΩ load resonance resistance is used.

This is a good value without the possibility to cause trouble.

<Standard>

The drive level of the oscillation circuit is 0.010μ W, when a quartz crystal unit with 49.19kΩ equivalent series resistance and 68.02kΩ load resonance resistance is used.

This is a good value without the possibility to cause trouble.

<High>

The drive level of the oscillation circuit is 0.015μ W, when a quartz crystal unit with 49.19kΩ equivalent series resistance and 67.19kΩ load resonance resistance is used.

This is a good value without the possibility to cause trouble.

• Conclusion

We recommend use of the product at the present constants.

However, please check whether it is satisfactory enough in your company.

○ Temperature Characteristics at Recommended Constants

Circuit Constants		Power Voltage (V)	Temperature (°C)	Drive Mode	Negative Resistance (kΩ)	Drive Level (μ W)
Cin (C301)	Cout (C300)					
5.6pF	5.6pF	USB	-40	Low	-448	0.004
5.6pF	5.6pF	USB	+85	Low	-438	0.004

The results of testing the mounted board we borrowed from you this time are as described above. Please also check and review them on your side before use.

KYOCERA Crystal Device Corporation	Date Issued 2016.11.28	Circuit Diagram Recommended constants	Report No. UKY1C-C3-16895-00(99)N 3/3
------------------------------------	---------------------------	--	--